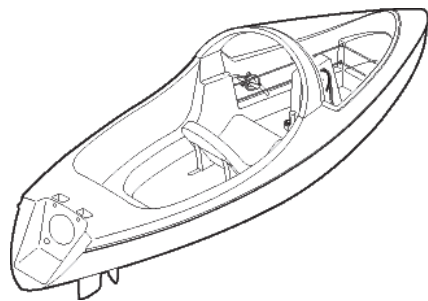


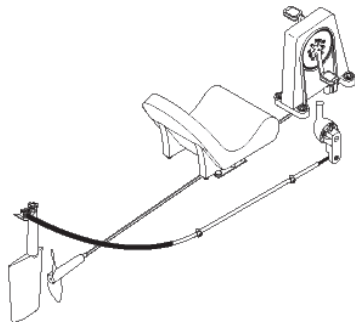
The Escapade by Nauticraft

This pedal powered vessel, with its sleek design, is suitable for use in harbors, bays, ocean inlets and lakes. It is also used for transportation to an offshore yacht or island home. The boat's efficient Nauticraft designed single pedal drive system turns a 15" propeller, making movement through water feel effortless, reaching speeds up to 5 mph. A spade type rudder provides easy and effective turning capability, controlled by a side mounted steering handle. The sailboat type hull positions the operator down inside the cockpit. Features a dry shelf up front for items you don't want to get wet and stretch cord retaining system around the front perimeter of the cockpit keeps life jackets, towels and even a beverage safely tucked away. A rear bench seat fits 1 to 2 people with a molded in storage compartment beneath the seat cushion.



Interior View

Steering and drive system



Phone: (231)798-8440

Welcome to Nauticraft



HIGH WINDSHIELD/ARCH MODEL

TURN HEADS!



Cruise in style...

Its lines were drawn by a world-class yacht designer to provide both hydrodynamic and aerodynamic efficiency, and doing it with style and good looks. You are guaranteed to turn heads in your Escapade.

You are the ***power*** behind this boat!



5980 Grand Haven Road Muskegon MI 49441

(231) 798-8440

www.nauticraft.com

ESCAPADE HIGH WINDSHIELD/ARCH

Pedal Propulsion

The High Windshield/Arch model (as seen on cover) is designed to deflect winds and spray in the off season. The windshield, made of a high impact polycarbonate material, protects the pedaler on cold weather excursions. On warm days, the windshield can be easily removed to allow cooling breezes to flow through the cockpit.

ESCAPADE LOW WINDSHIELD

Pedal Propulsion



The Low Windshield Escapade provides all of the features of the High Windshield model but gives a "top down" feeling of open air pedaling.

Specifications

| | |
|-------------------|---------------------------|
| Weight Capacity | 525 lbs. persons and gear |
| Hull Construction | Rotomolded polyethylene |
| Propulsion | 15" two blade propeller |
| Length | 12' 2" |
| Draft | 1' 8" |
| Weight | 325 lbs. |
| Speed Potential | 5.3 mph |

Key Features

- ◆ Two/three person accommodation: one peddler and one or two passengers
- ◆ Transom swim platform: easy re-boarding from water
- ◆ Ballast filled keel: stability in rough waters
- ◆ Windshield and arch: provides aerodynamics and repels high waves
- ◆ Built-in manual bilge pump: easy rain water removal
- ◆ Stretch cord retainers: holds/retains towels, life jackets, water bottles, etc.
- ◆ Options: Storage cradle, cockpit cover, trailering cover, bimini top, single trailer